

# Product data sheet

## Characteristics

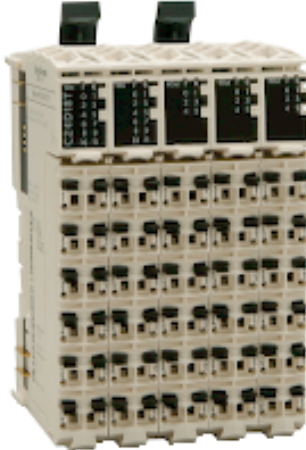
# TM5C24D18T

Compact I/O expansion block, Modicon TM5, 42  
24 DI, 18 DO transistor



Product availability: Non-Stock - Not normally stocked in distribution facility

Price\*: 850.00 USD



### Main

Range of Product	Modicon TM5
Product or Component Type	Compact I/O expansion block

### Complementary

Enclosure Material	Plastic
Color	White
Input/output number	42
Input/output number of splitter box	24 I + 18 O
Number of modules	Digital input 2 x 12 Digital output 3 x 6
Discrete input number	24
Discrete input voltage	24 V
Discrete input voltage type	DC
Input voltage limits	20.4...28.8 V
Discrete input logic	Sink
Discrete input current	3.75 MA
Input impedance	6.4 kOhm
Analogue input number	0
Discrete output number	18
Discrete output type	Transistor
Wiring mode	1 wire discrete input 2-wire discrete output
Output voltage	24 V DC
Output voltage limits	20.4...28.8 V DC
Discrete output logic	Source
Discrete output current	0.5 A per output
Peak output current	9 A
Voltage state 0 guaranteed	<= 5 V
Voltage state 1 guaranteed	>= 15 V

Input filtering	<= 100 ms hardware <= 25 ms configurable by software
Response time	<= 300 µs from state 0 to state 1 output <= 300 µs from state 1 to state 0 output
Maximum leakage current	5 MA when switched off) output
Isolation	500 Vrms AC insulation between channel and bus No insulation between channels
Maximum voltage drop	<0.3 V at 500 mA for output
Current consumption	70 mA 5 V DC bus 140 mA 24 V DC input/output
Max current	9000 mA loads on I/O power segment
Maximum power dissipation in W	3.71 W
Local signalling	For power supply 5 LEDs (green) For power supply 5 LEDs (red) For input status 24 LEDs (green) for output status 18 LEDs (yellow)
Electrical Connection	Removable spring terminal block
Marking	CE
Surge withstand	0.5 KV differential mode 24 V DC EN/IEC 61000-4-5 1 KV common mode 24 V DC EN/IEC 61000-4-5
Electromagnetic compatibility	EN/IEC 61000-4-6
Disturbance radiated/conducted	CISPR 11

## Environment

Standards	IEC 61131-2 UL 508 CSA C22.2 No 213 CSA C22.2 No 142
Product Certifications	C-tick CULus GOST-R CSA
Ambient air temperature for operation	14...122 °F (-10...50 °C) vertical installation) 14...140 °F (-10...60 °C) horizontal installation)
Ambient Air Temperature for Storage	-40...158 °F (-40...70 °C)
Relative Humidity	5...95 % without condensation
IP degree of protection	IP20IEC 61131-2
Pollution degree	2 IEC 60664
Operating altitude	0...6561.68 ft (0...2000 m)
Storage altitude	0.00...9842.52 Ft (0...3000 m)
Vibration resistance	1 gn 8.4...150 Hz DIN rail 3.5 mm 5...8.4 Hz DIN rail
Shock resistance	15 gn 11 ms
Resistance to electrostatic discharge	4 KV on contact EN/IEC 61000-4-2 8 KV in air EN/IEC 61000-4-2
Resistance to electromagnetic fields	0.91 V/M (1 V/m) 2...2.7 GHz EN/IEC 61000-4-3 9.14 V/M (10 V/m) 80...2000 MHz EN/IEC 61000-4-3
Resistance to fast transients	1 KV EN/IEC 61000-4-4 I/O) 1 KV EN/IEC 61000-4-4 shielded cable) 2 KV EN/IEC 61000-4-4 power lines)
Mounting Support	DIN rail
Net Weight	0.53 Lb(US) (0.24 kg)

## Ordering and shipping details

Category	22532 - M258 PLC
Discount Schedule	PC12
GTIN	03595864074351
Nbr. of units in pkg.	1
Package weight(Lbs)	9.81 Oz (278 g)
Returnability	No
Country of origin	AT

## Packing Units

Unit Type of Package 1	PCE
Package 1 Height	2.95 In (7.5 cm)
Package 1 width	3.54 In (9 cm)
Package 1 Length	4.33 In (11 cm)
Unit Type of Package 2	S03
Number of Units in Package 2	36
Package 2 Weight	22.07 Lb(US) (10.01 kg)
Package 2 Height	11.81 In (30 cm)
Package 2 width	11.81 In (30 cm)
Package 2 Length	15.75 In (40 cm)

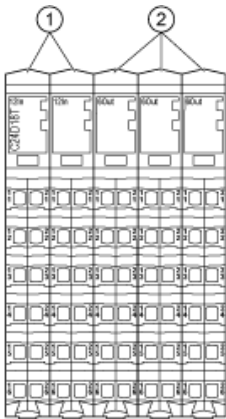
## Offer Sustainability

Sustainable offer status	Green Premium product
California proposition 65	WARNING: This product can expose you to chemicals including: Lead and lead compounds, which is known to the State of California to cause cancer and birth defects or other reproductive harm. For more information go to <a href="http://www.P65Warnings.ca.gov">www.P65Warnings.ca.gov</a>
REACH Regulation	<a href="#">REACH Declaration</a>
REACH free of SVHC	Yes
EU RoHS Directive	Pro-active compliance (Product out of EU RoHS legal scope) <a href="#">EU RoHS Declaration</a>
Toxic heavy metal free	Yes
Mercury free	Yes
RoHS exemption information	<a href="#">Yes</a>
China RoHS Regulation	<a href="#">China RoHS Declaration</a>
Environmental Disclosure	<a href="#">Product Environmental Profile</a>
Circularity Profile	<a href="#">End Of Life Information</a>
WEEE	The product must be disposed on European Union markets following specific waste collection and never end up in rubbish bins.
PVC free	Yes

## Contractual warranty

Warranty	18 months
----------	-----------

TM5 Compact I/O Module



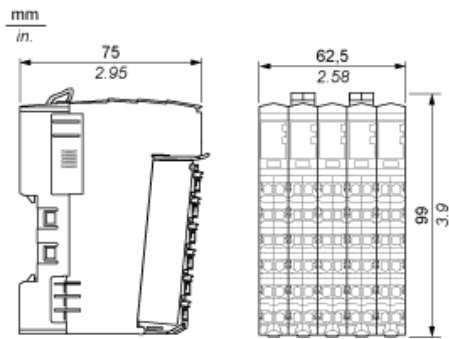
N°	Designation
1	Input electronic module / 12 digital inputs
2	Output electronic module / 6 digital outputs

---

Compact I/O Module

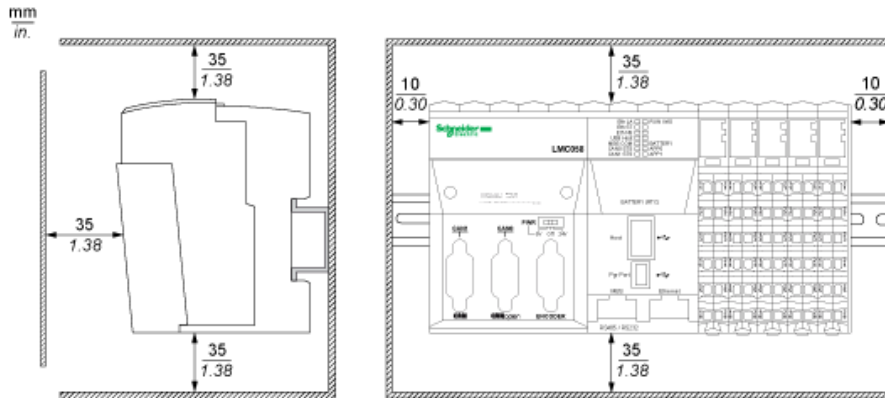
---

Dimensions

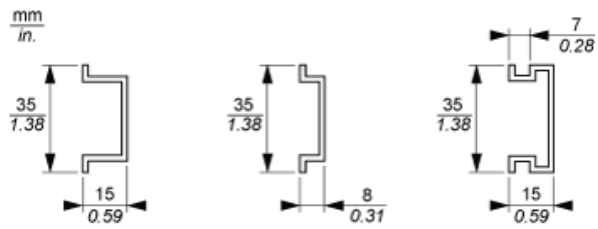


## TM5 System

### Spacing Requirements







### Mounting on a DIN Rail



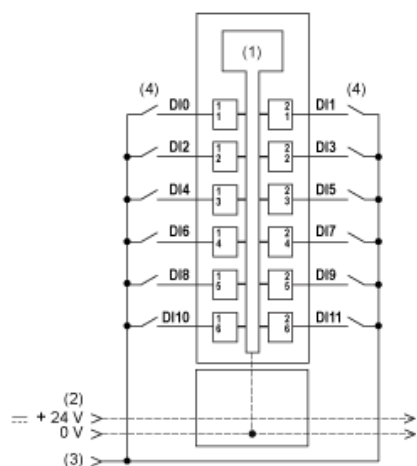
TM5 System Wiring Recommendations

Wire Sizes to Use with the Removable Spring Terminal Blocks

mm in.				
mm <sup>2</sup>	0,08...2,5	0,25...2,5	0,25...1,5	2 x 0,25...2 x 0,75
AWG	28...14	24...14	24...16	2 x 24...2 x 18

Digital Input 12In

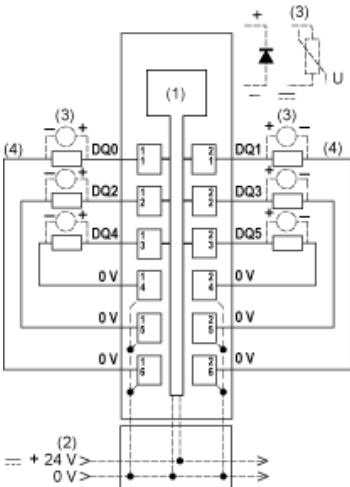
Wiring Diagram



- 1 Internal electronics
- 2 24 Vdc I/O power segment integrated into the bus bases
- 3 24 Vdc I/O power segment by external connection
- 4 2-wire sensor

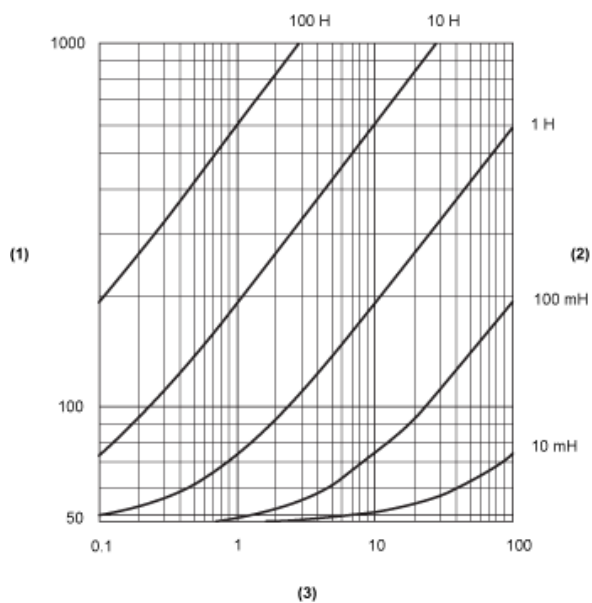
Digital Output 6Out

# Wiring Diagram



- 1 Internal electronics
- 2 24 Vdc I/O power segment integrated into the bus bases
- 3 Inductive load protection
- 4 2-wire load

Switching Inductive Load Characteristics



- (1) Load resistance in  $\Omega$
- (2) Load inductance in H
- (3) Max. operating cycles / second

Product Life Status : **Commercialised**